



APM CO., LTD.

AGP-0043

GPS+GSM+FM/AM Combination Antenna



SPECIFICATIONS

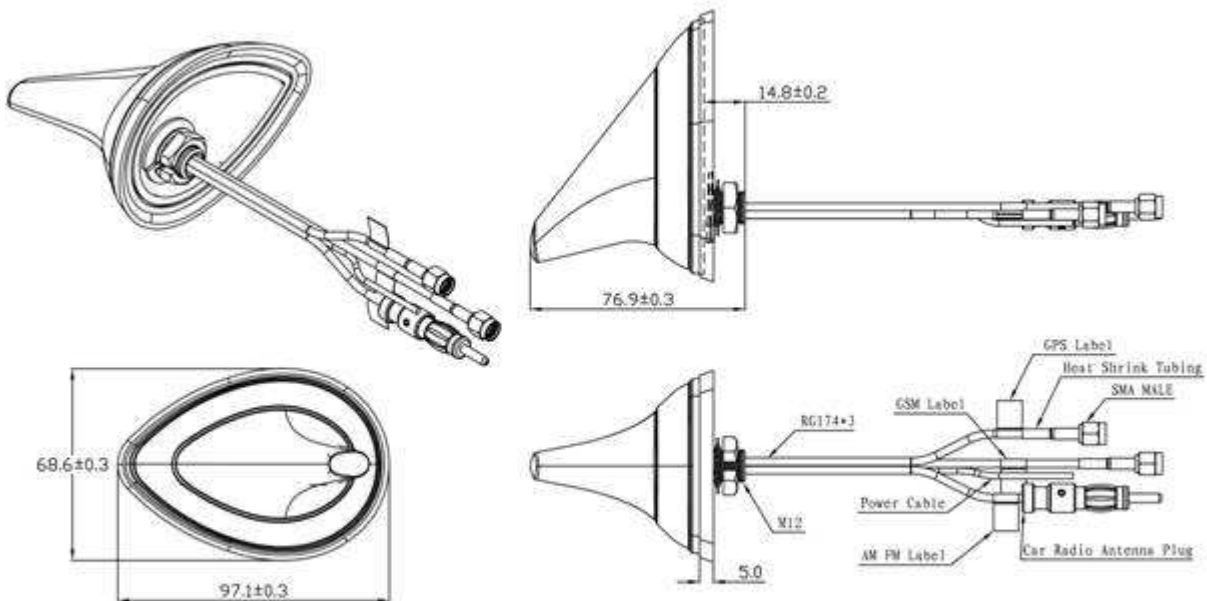
Item		Specifications	
GPS Antenna	Dielectric Antenna	Center Frequency	1575.42±1MHz
		Band Width	CF±5MHz
		Polarization	RHCP
		Gain	2dBic (Zenith)
		V.S.W.R	< 1.5
		Impedance	50Ω
		Axial Ratio	3dB (max)
	LNA	Gain	28±2dB
		Noise Figure	< 1.5
		Ex-band Attenuation	12dB@CF+50MHz/16dB@CF-50MHz
		V.S.W.R	< 2.0
		Supply Voltage	2.2~5V DC
		Current Consumption	5~15mA
GSM Antenna		Frequency Range	824~960MHz/1710~2170MHz
		V.S.W.R	< 2.5
		Polarization	Linear
		Gain	2dBi
		Impedance	50Ω



APM CO., LTD.

FM/AM Antenna	Frequency Range	520~1629KHz/76~108MHz
	V.S.W.R	< 2.5
	Polarization	Linear
	Gain	20/12dBi
	Impedance	50Ω
	Supply Voltage	12V DC
Environmental	Operating Temperature	-40°C ~ +85°C
	Relative Humidity	Up to 95%
	Ingress Protection	IP65~IP67 (exclude cable outlet)
	Vibration	10 to 55Hz with 1.5mm amplitude 2hours
	Environmentally Friendly	ROHS Compliant

DIMENSIONS



Unit: mm