



APM CO., LTD.

## AGPS-254

### GPS Dielectric Antenna



#### • Product Overview

##### ◎ Dielectric Antenna

Center Frequency (MHz) :  $1575.42 \pm 3$

VSWR : 1.5:1

Bandwidth (MHz) : 15 Min

Impedance ( $\Omega$ ) : 50

Peak Gain > 4dBi Based on 7cm×7cm ground plane

Gain Coverage > -4dBi at  $-90^\circ < 0 < +90^\circ$  (over 75% Volume)

Polarization : RHCP

Power Handling (W) : 1

##### ◎ Mechanical

Weight (gram) < 10

Size (mm) : 25×25×4

##### ◎ Environmental

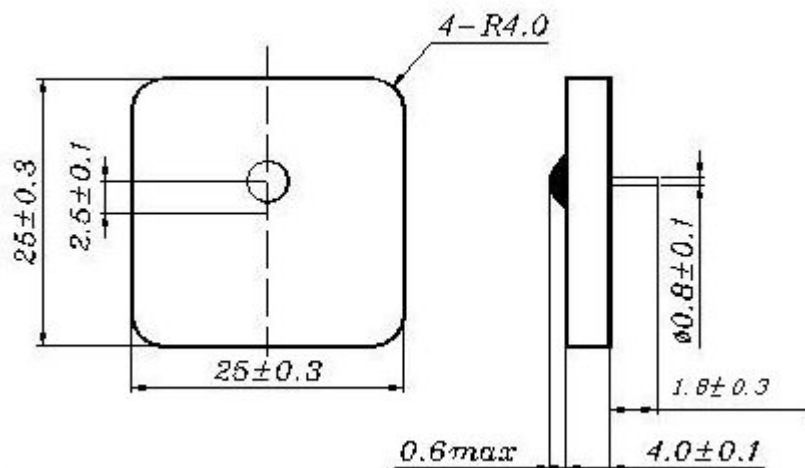
Working Temp :  $-40^\circ\text{C} \sim +85^\circ\text{C}$

Storage Temp :  $-45^\circ\text{C} \sim +90^\circ\text{C}$

Vibration : Sine sweep 1g(0-p)10~50~10Hz each axis

Humidity : Humidity 95%~100%RH

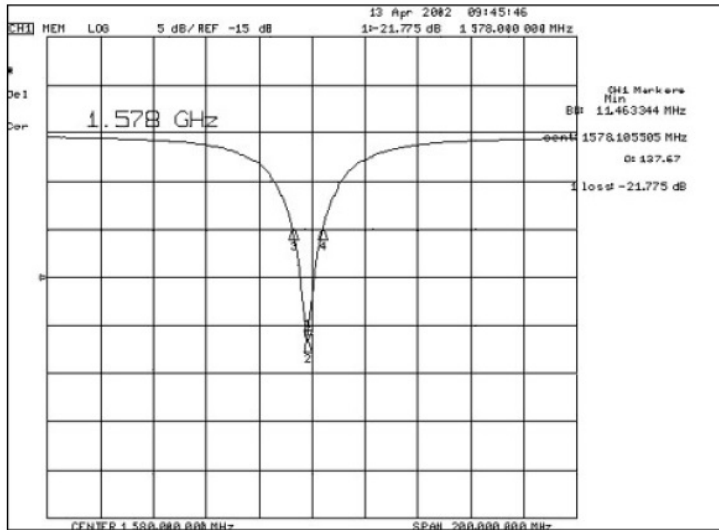
#### • Mechanical (Pin:1.8mm)





• Characteristic curve

(For Example:1578MHz)



(For Example:1580MHz)

