

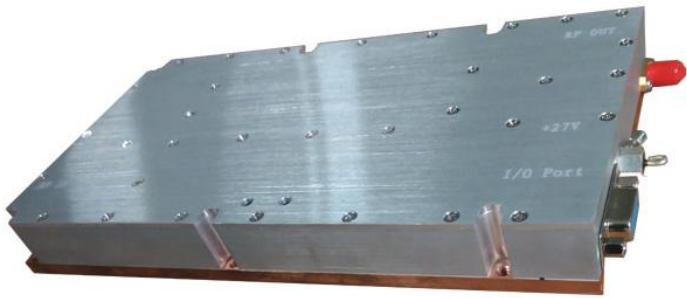


PA 2.5-2.7GHz 100W

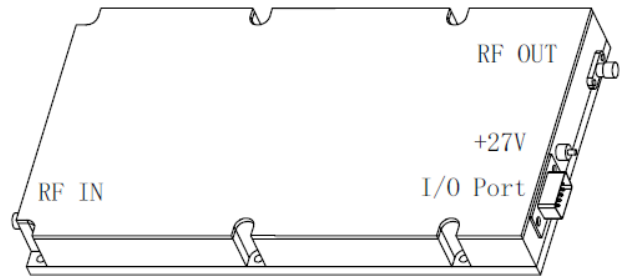
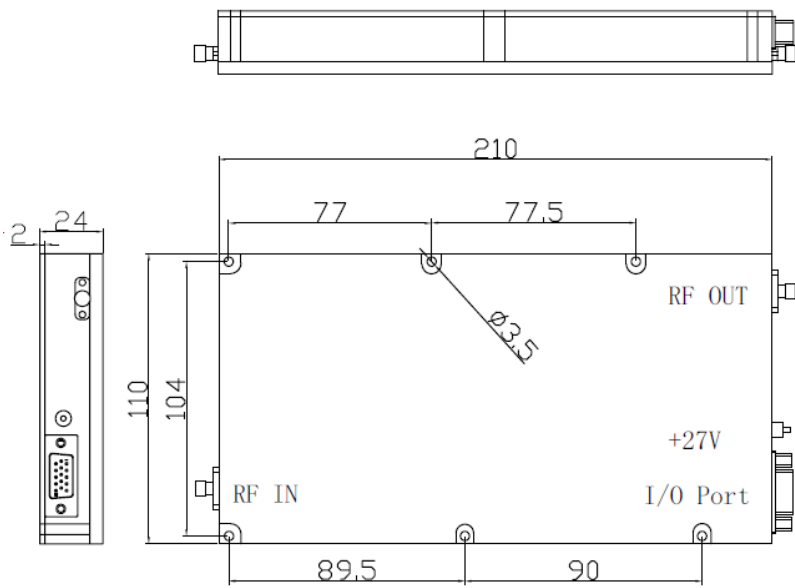
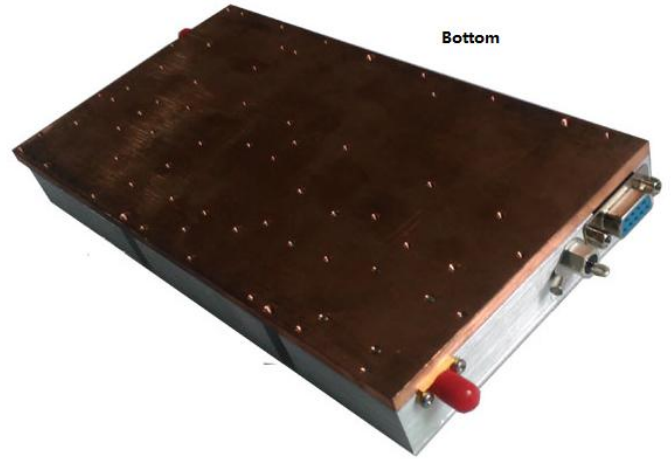
No.	Item	AAM-2527-100W	
1	Frequency Range	2500-2700MHz or Customized	
2	Output Power	50dBm	
3	Input Power	5-10dBC	
4	Working Current	<12A	
5	PA Gain	>50dB	
6	PA Gain Adjust	31dB,1dB Step	
7	In-Band Ripple	2dB	
8	IN/OUT VSWR	≤1.5	
9	Working Voltage	28VDC	
10	RF IN/OUT Ports	SMA - Female	
11	Dimension	210*110*25mm (Exclusive Connector)	
12	Power Supply Port	Pull-core Capacitance	
13	Working Temperature	- 25℃ to ..65℃	
14	Protection	Shutdown more than 75℃, auto-restart less than 50℃	
		Shutdown over High-VSWR, auto-restart after 30s	
15	I/O Port	DB15 Female (Parall)	PIN1: 1dB (Hang in air or add 5V: No ATT; Grounding: Enable ATT)
			PIN2: 2dB (Hang in air or add 5V: No ATT; Grounding: Enable ATT)
			PIN3: 4dB (Hang in air or add 5V: No ATT; Grounding: Enable ATT)
			PIN4: 8dB (Hang in air or add 5V: No ATT; Grounding: Enable ATT)
			PIN5:16dB (Hang in air or add 5V: No ATT; Grounding: Enable ATT)
			PIN7: VSWR (Reflected RF Power Indicator; Max voltage:4V)
			PIN10: P/L (Output RF Power Indicator; Max voltage:4V)
			PIN11: LE /EN (5V: PA OFF; Hang in air or grounding: PA ON)
			PIN14: T/L(Temperature Indicator :0.01V/1Celsius)
			PIN1: GND
			PIN6, PIN8,PIN9,PIN12,PIN13: NC
	DB9 Female RS485(option)	PIN1,PIN2: RS485A; PIN3,PIN4: RS485B; PIN5: GND	



Top



Bottom



100W PA size

